



ZF817-6

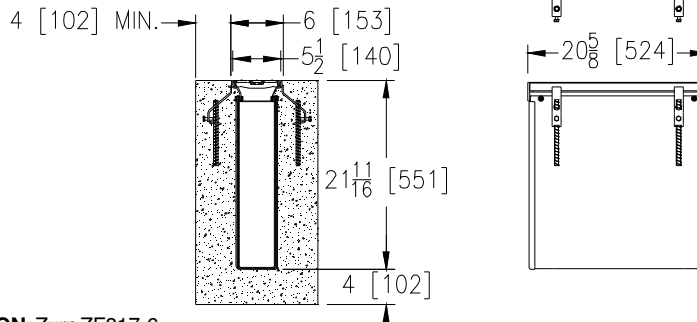
6 [152] X 20 [508] REVEAL FIBER REINFORCED POLYMER CATCH BASIN

SPECIFICATION SHEET

TAG _____

Dimensional Data (inches and [mm]) are Subject to Manufacturing Tolerances and Change Without Notice

SPECIFYING ENGINEER IS RESPONSIBLE FOR CONCRETE ENCASEMENT AND REINFORCING BASED UPON APPLICATION AND LOCAL CODES



ENGINEERING SPECIFICATION: Zurn ZF817-6

Catch Basin is 6" [152mm] wide, 20" [508mm] long reveal and 21-1/2" [546mm] deep. The body is made of 0% water absorbent Fiber Reinforced Polyester (FRP) fiberglass. Catch basin weighs less than 11 lbs. [5kg] per linear foot and is provided with standard loose set DGC grate that is not intended for dynamic traffic loadings. Zurn 6" [152mm] wide reveal Ductile Iron Slotted Grate conforming to ASTM specification A536, Grade 80-55-06. Ductile Iron grate is rated class C per the DIN EN1433 top load classifications. Supplied in 20" [508mm] nominal lengths with 1/2" [13mm] wide slots, and 3/4" [19mm] bearing depth. Grate has an open area of 28.1 sq. in. per ft. [59,463 sq. mm per meter]. The #10 gage thick Heavy-Duty Frame Assembly conforms to ASTM specification A36. Frame shall mechanically lock into the concrete surround at a maximum spacing of 14" [356mm] with four rebar attachment brackets as standard to secure the basin in its final location. The frame is supplied with a powder coated finish. All welds must be performed by a certified welder per ASTM standard AWS D1.1. Frame and Basin shall be produced in the U.S.A.

PREFIX OPTIONS (Check/specify appropriate options)

___ ZF 6 inch by 20 inch Fiber Reinforced Polymer (FRP)*

SUFFIX OPTIONS (Check/specify appropriate options)

Outlet Adapters Add/Each

___ -E4 4 [102] No-Hub End Outlet ___ -U4 4 [102] No-Hub Bottom Outlet
 ___ -E6 6 [152] No-Hub End Outlet
 ___ -E8 8 [204] No-Hub End Outlet

Frame Options

___ -CBF Black Acid Resistant Coated Frame
 ___ -GFA Galvanized Frame
 ___ -SF Type 304 Stainless Steel Top Frame

Grate Options (Load Classifications are per DIN EN1433)

___ -BCD Bronze Circular Decorative Grate - Class A
 ___ -BDC Black Acid Resistant Epoxy Coated Ductile Grate - Class C
 ___ -BDE Black Acid Resistant Epoxy Coated Ductile Grate - Class E
 ___ -DC Ductile Iron Solid Cover - Class C
 ___ -DGC Ductile Iron Slotted Grate - Class C *
 ___ -DGE Ductile Iron Slotted Grate - Class E
 ___ -GDC Galvanized Ductile Slotted Grate - Class C
 ___ -GDE Galvanized Ductile Slotted Grate - Class E
 ___ -GHPD Galvanized Heel-Proof Ductile Grate - Class B
 ___ -GHPDE Galvanized Heel-Proof Ductile Grate - Class E
 ___ -HPD Heel-Proof Ductile Slotted Grate - Class B
 ___ -HPDE Heel-Proof Ductile Slotted Grate - Class E
 ___ -HPP Heel-Proof Polyethylene Grate - Class A
 ___ -LD Ductile Iron Longitudinal Slotted Grate - Class B
 ___ -RFG Reinforced Galvanized Steel Slotted Grate - Class B
 ___ -RFGC Reinforced Slotted Galvanized Grate - Class C
 ___ -RFS Reinforced Stainless Steel Slotted Grate - Class B
 ___ -RFSC Reinforced Slotted Stainless Steel Grate - Class C
 ___ -RPG Reinforced Galvanized Perforated Grate - Class B
 ___ -RPGC Reinforced Perforated Galvanized Grate - Class C
 ___ -RPGRC Reinforced Perforated Galvanized Reverse Punch Grate - Class C
 ___ -RPS Reinforced Stainless Steel Perforated Grate - Class B
 ___ -RPSC Reinforced Perforated Stainless Steel Grate - Class C
 ___ -RPSRC Reinforced Perforated Stainless Steel Reverse Punch Grate - Class C

Decorative Grate Options (Load Classifications are per DIN EN1433)

___ -BCD Bronze Circular Decorative Grate - Class A
 ___ -BDD Bronze Diagonal Decorative Grate - Class A
 ___ -DCD Ductile Iron Circular Decorative Grate - Class C
 ___ -DDD Ductile Iron Diagonal Decorative Grate - Class A

* Regularly furnished unless otherwise specified.

Decorative Grate Options (Continued)

___ -DOG Ductile Iron Decorative Grate - Class A
 ___ -DWV Ductile Wave Decorative Grate - Class A
 ___ -HPB Heel-Proof Bronze Slotted Grate - Class A
 ___ -HPS Heel-Proof Stainless Steel Slotted Grate - Class A
 ___ -SBG Stainless Steel Bar Grate - Class E
 ___ -SCD Stainless Steel Circular Decorative Grate - Class B
 ___ -SDD Stainless Steel Diagonal Decorative Grate - Class B
 ___ -SOG Stainless Steel Decorative Grate - Class B

Miscellaneous Options

___ -FT Foul Air Trap
 ___ -IA Inlet Adapter
 ___ -Y Sediment Bucket

MADE in the U.S.A. (Load Classifications are per DIN EN1433)

___ -AWG Aluminum Wire Grate - Class A
 ___ -BDE-USA Black Acid Resistant Epoxy Coated Ductile Grate - Class E
 ___ -DGC-USA Ductile Iron Slotted Grate - Class C
 ___ -DGE-USA Ductile Iron Slotted Grate - Class E
 ___ -FG Fabricated Galvanized Steel Slotted Grate - Class A
 ___ -FS Fabricated Stainless Steel Slotted Grate - Class A
 ___ -GDC-USA Galvanized Ductile Slotted Grate - Class C
 ___ -GDE-USA Galvanized Ductile Slotted Grate - Class E
 ___ -GHPDE-USA Galvanized Heel-Proof Ductile Grate - Class E
 ___ -HPDE-USA Heel-Proof Ductile Slotted Grate - Class E
 ___ -PG Perforated Galvanized Steel Grate - Class A
 ___ -PS Perforated Stainless Steel Grate - Class A
 ___ -PPC Plastic Perforated Grate - Class C

Decorative MADE in the U.S.A. (Load Classifications are per DIN EN1433)

___ -BZ Bronze Decorative Grate - Class A
 ___ -NBZ Nickel Bronze Decorative Grate - Class A
 ___ -PSR Perforated Stainless Steel Raised Grate - Class A
 ___ -SWG Stainless Steel Wire Grate - Class A

Supplied By:



Zurn Industries, LLC | Specification Drainage Operation
 1801 Pittsburgh Avenue, Erie, PA U.S.A. 16502 · Ph. 855-663-9876, Fax 814-454-7929

In Canada | Zurn Industries Limited
 3544 Nashua Drive, Mississauga, Ontario L4V 1L2 · Ph. 905-405-8272, Fax 905-405-1292

www.zurn.com

Rev. F
 Date: 09/14/2017
 C.N. No. 137723
 Prod. | Dwg. No. ZF817-6